



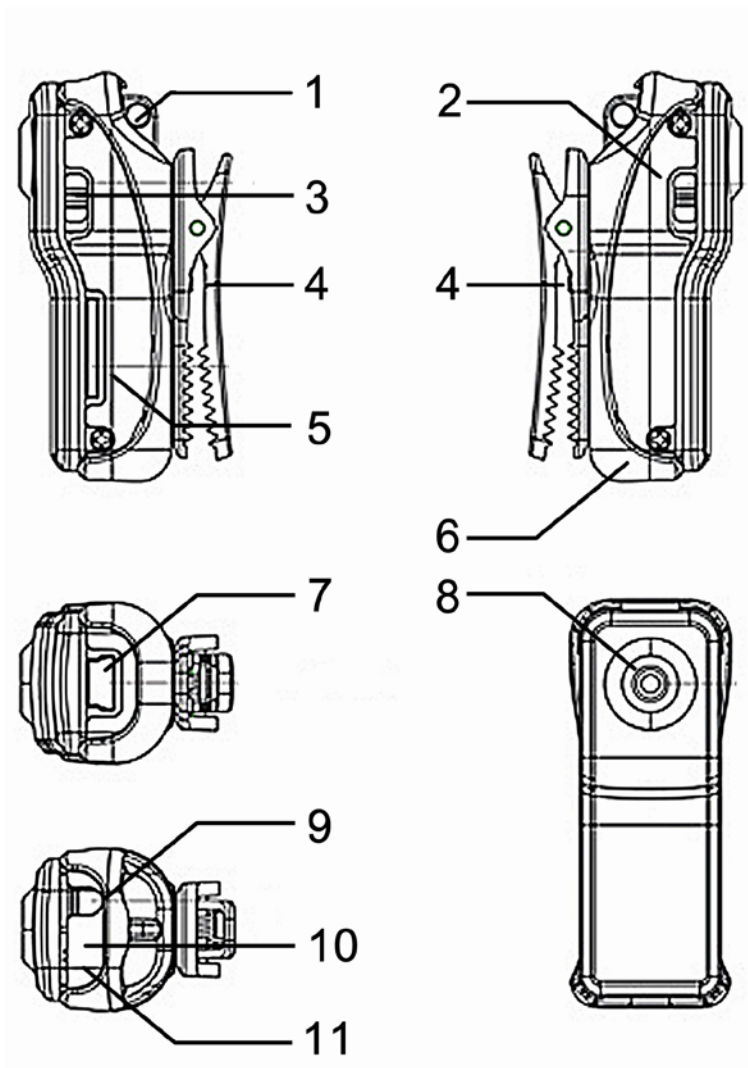
Micro Manual



Enforcement Technologies International, LLC
1932 Shorter Ave. Rome, Ga. 30165

Toll Free (800) 242-0146 Phone (706) 232-0146

Diagram



- 1: Lanyard Hole 2: Power on/off 3: Mode 4: Clip 5: Micro SD 6: Bracket
7: USB port 8: Camera 9: Record on/off 10: Status Indicator 11: Mic

Accessories Brackets



12: Foundation 13: Clip 14: Combination

Introduction

The Eagleye Micro is a high-definition audio/video recorder. It is an essential utility for law enforcement and security personnel.

Operation Guide

Charging

The Eagleye Micro has a built in lithium rechargeable battery. The initial charge should be a minimum of 2 hours. While charging the green and red LED's will illuminate simultaneously.

Use the two following methods to charge the unit

- a.) Connect unit to computer using the provided USB cable.
- b.) Connect the USB cable to the provided A/C power adaptor.

Power On

The power button is located on the side of the unit. Press the power button and the power indicator light on the top of the unit illuminates.

Power Off

To power the unit down press and hold the power button until the indicator light goes out.

Note:

Please make sure the Micro SD card has been inserted, if not the unit will power off automatically after 30 seconds.

Record

Press the Record / Stop button on top of the unit. The red record indicator LED will begin to flash. To stop recording press the Record / Stop button and the red LED goes off.

Date/ Time Setup

- Change date and time on tag file
- Drag tag to removable drive next to DCIM folder
- Unplug micro
- Power down micro
- Power up micro
- Make video
- Power down micro
- Plug micro into pc

Downloading/ Viewing

Connect the Eagleye Micro to your PC using the provided USB cable. The unit will be identified as a removable disk. The recorded video can be viewed using the Eagleye player or Windows Media player.

Specifications:

Item	Parameters
Video format	AVI
Video encoding	M-JPEG
Video resolution	720*480 VGA
Video frame rate	30fps ± 1 fps
Media playing software	Eagleye Viewer or Windows Media Player
The ratio of image	4:3
Supporting system	Windows me/2000/XP/2003/vista ; Mac OS10.4 ;
charge pressure	DC-5V
Interface type	Mini 5 pin USB
Storage support	Micro SD
Battery type	Re chargeable high-capacity lithium polymer

One Year Limited Warranty

The Eagleye Micro DVR is warranted to the original purchaser for one full year from the date of purchase against defects in material and workmanship. During this period Enforcement Technologies International, LLC will repair or replace, at our discretion, the defective component.

This warranty does not apply to improperly handled, abused, submerged in water, nor to any unit which has been repaired or altered by unauthorized persons. Batteries and plastic housings are not covered by warranty.